


# 3099-2E



Color:  Black

UPC Code: 07847740889

### Brand Features

Leviton's line of temporary power solutions now includes industrial grade portable outlet boxes with cover plates and weather resistant flip lids. For applications ranging from industrial and processing plants to construction and maintenance to entertainment and theater, these durable devices will help to deliver the power you need, where you need it. Constructed of high-performance TPV, these boxes maintain their integrity in most any temperature, are extremely resistant to harsh chemicals and exhibit excellent strength and resistance to fatigue. They are available in single and two-gang sizes, both feed-thru and pendant style. Plus, you can choose either high-visibility yellow (for most industrial and commercial applications) or black (for entertainment applications). Coverplates and Flip lids are available in many common configurations.

### Item Description

Portable Outlet Box, Sing-Gang, Extra Deep, Pendant Style, Cable Diameter (0.590" - 1.000") - BLACK

### Technical Information

#### Environmental Specifications

**Flammability:** V-2 (Strain Relief), V-0 (Box)

**Operating Temperature:** -20C to 100C

#### Material Specifications

**Box Material:** Santoprene™ TPV

**Locking Nut:** Steel

**Screw Inserts:** Nylon

**Strain Relief:** Nylon

#### Product Features

**Box Volume:** 22.3 cu in

**Color:** Black

**Device Type:** Box

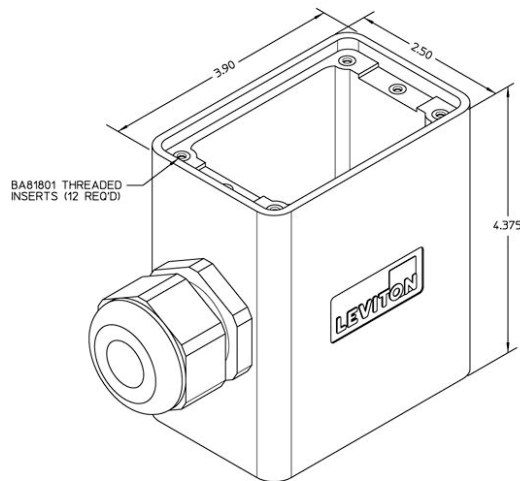
**Gang:** 1

**Style:** Pendant

#### Standards and Certifications

**RoHS:** Compliant

**UL Listed:** 514C



### SPECIFICATION SUBMITTAL

JOB NAME:	CATALOG NUMBERS:	
<input type="text"/>	<input type="text"/>	<input type="text"/>
JOB NUMBER:	<input type="text"/>	<input type="text"/>

**Leviton Manufacturing Co., Inc.**

201 North Service Road, Melville, NY 11747

Teléfono: +1-800-323-8920 · FAX: +1-800-832-9538 · Tech Line (8:30AM-7:30PM E.S.T. Monday-Friday): +1-800-824-3005

**Leviton Manufacturing of Canada, Ltd.**

165 Hymus Boulevard, Pointe Claire, Quebec H9R 1E9 · Telephone: +1-800-469-7890 ·

FAX: +1-800-824-3005 · [www.leviton.com/canada](http://www.leviton.com/canada)

**Leviton S. de R.L. de C.V.**

Lago Tana 43, Mexico DF, Mexico CP 11290 · Tel.: (+52)55-5082-1040 · FAX: (+52)5386-

1797 · [www.leviton.com.mx](http://www.leviton.com.mx)

**Visit our Website at: [www.leviton.com](http://www.leviton.com)**

© 2018 Leviton Manufacturing Co., Inc. Todos los derechos reservados. Subject to change without notice.

**Leviton has a global presence.**

If you would like to know where your local Leviton office is located please go to:

[www.leviton.com/international/contacts/](http://www.leviton.com/international/contacts/)





**UPC Code:** 07847720532

**Country Of Origin:** Mexico

**NEMA:**  
5-20R



## 5362-SE

### Brand Features

Leviton's line of Extra Heavy-Duty Industrial Grade receptacles are designed and manufactured to withstand the harsh conditions typically associated with industrial environments. Available in a wide variety of configurations, including isolated ground, tamper-resistant, hospital grade, etc., these Industrial Grade devices are the electrical contractor's choice for use in factories, schools, hospitals and commercial office buildings.

### Item Description

20 Amp, 125 Volt, NEMA 5-20R, 2P, 3W, Industrial Series Heavy Duty Specification Grade, Duplex Receptacle, Straight Blade, Self Grounding, Contractor Pack, 8 Hole Feed Thru Back & Side Wired, Steel Strap - BLACK

### Technical Information

#### AC Horsepower Ratings

**At Rated Voltage:** 1 HP

#### Electrical Specifications

**Grounding:** Self-Grounding

**Amperage:** 20 Amp

**Voltage:** 125 Volt

**Pole:** 2-Pole

**Wire:** 3-Wire

**Dielectric Voltage:** Withstands 2000V per UL498

**Current Limiting:** Full Rated Current

**Temperature Rise:** Max 30C after 250 cycles OL at 200 percent rated current

#### Environmental Specifications

**Flammability:** Rated V-2 per UL94

**Operating Temperature:** -40C to 60C

#### Material Specifications

**Face Material:** Thermoplastic Nylon

**Body Material:** Thermoplastic Nylon

**Line Contacts:** Brass Triple-Wipe

**Grounding Screw:** Steel 8-32

**Clamp Nuts:** Galvanized Steel

**Ground Clips:** Brass

**Strap Material:** Steel

**Terminal Screws:** Brass 10-32

**Color:** Black

#### Mechanical Specifications

**Terminal ID:** Brass-Hot, Green-Ground, Silver-Neutral

**Terminal Accom.:** 14-10 AWG

**Product ID:** Ratings are permanently marked on device

**Torque Range:** 14-16 inch pounds

#### Product Features

**Grounding:** Self-Grounding

**Face Material:** Thermoplastic Nylon

**NEMA:** 5-20R

**Body Material:** Thermoplastic Nylon

**Strap Material:** Steel

**Color:** Black

#### Standards and Certifications

**NEMA:** WD-1 & WD-6

**ANSI:** C-73

**UL498:** File E13399

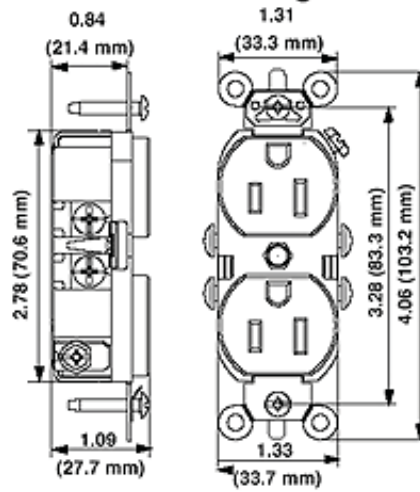
**UL Fed Spec WC-596:** File E13399

**CSA C22.2 No. 42:** File 152105

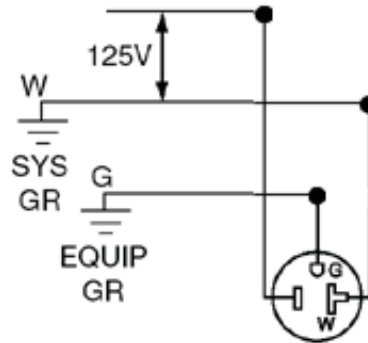
**NOM:** 057

**Warranty:** 2 Year Limited

### Dimensional Diagram



### Wiring Diagram



5-20R

### SPECIFICATION SUBMITTAL

JOB NAME:	CATALOG NUMBERS:	
<input type="text"/>	<input type="text"/>	<input type="text"/>
JOB NUMBER:	<input type="text"/>	<input type="text"/>

#### Leviton Manufacturing Co., Inc.

201 North Service Road, Melville, NY 11747

Teléfono: +1-800-323-8920 · FAX: +1-800-832-9538 · Tech Line (8:30AM-7:30PM E.S.T. Monday-Friday): +1-800-824-3005

#### Leviton Manufacturing of Canada, Ltd.

165 Hymus Boulevard, Pointe Claire, Quebec H9R 1E9 · Telephone: +1-800-469-7890 ·

FAX: +1-800-824-3005 · [www.leviton.com/canada](http://www.leviton.com/canada)

#### Leviton S. de R.L. de C.V.

Lago Tana 43, Mexico DF, Mexico CP 11290 · Tel.: (+52)55-5082-1040 · FAX: (+52)5386-

1797 · [www.leviton.com.mx](http://www.leviton.com.mx)

Visit our Website at: [www.leviton.com](http://www.leviton.com)

© 2018 Leviton Manufacturing Co., Inc. Todos los derechos reservados. Subject to change without notice.

#### Leviton has a global presence.

If you would like to know where your local Leviton office is located please go to:

[www.leviton.com/international/contacts/](http://www.leviton.com/international/contacts/)



Straight Blade Devices  
15A, 125V, 2 Pole, 3 Wire Grounding  
Insulgrip Plug

# HUBBELL



## Features

- Ribbed nylon housing is impact and chemical resistant
- VARI-SIZE adjustable cord clamp
- Fast lead assembly screws
- Beveled housing prevents snagging

## Ordering Information

Description	Cord Diameter	UPC	Catalog Number
Black and white nylon	.230"-.720"(5.8-18.3)	783585173009	HBL5266C

## Listings

UL Listed to UL498 File E1706  
CSA Certified to C22.2 No. 42 File 280  
Fed. Spec. W-C596G  
NEMA® WD-6 Compliant

## Specifications

Housing/Cord Clamp	Nylon
Blade Holder	Nylon
Terminal Retainer	Clear Polycarbonate
Blades	.060 in. (1.5) Brass
Terminal Screws	#8-32 Brass , multiple drive
Terminal Clamp	Nickel plated steel
Assembly Screws	Nickel plated steel

## Performance

### Electrical

Current Interrupting	Certified for current interrupting at full rated current
Dielectric Voltage	Withstands 2,000V minimum

### Mechanical

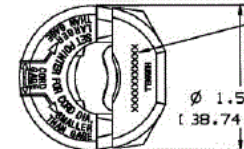
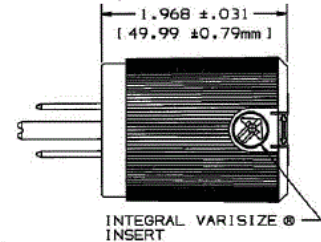
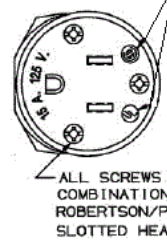
Terminal Accommodation	#18-10 AWG. Standed copper wire only
Terminal Identification	Terminals identified in accordance with UL 498 and CSA

### Environmental

Flammability	UL 94 HB or better
IP Suitability	IP20
Operating Temperatures	Maximum continuous 75°C; minimum -40°C (w/o impact)



AGENCY LISTING  
PER TABLE



CATALOG NUMBER  
(HBL5266CM2 &  
HBL5266EBK NOT  
MARKED)

## Accessories

Weatherproof Boot	HBL6017
-------------------	---------

## Resources

Customer Use Drawing  
eCatalog

Dimensions in Inches (mm)

Hubbell Wiring Device-Kellems • Hubbell Incorporated (Delaware) • 40 Waterview Drive • Shelton, CT 06484

Phone (800) 288-6000 • Fax (800) 255-1031 • Specifications subject to change without notice.



12/3 SOW

# SOOW 600V



## Portable Cord -40°C +90°C UL CSA MSHA Extra Hard Usage - High Grade Mechanical Service



### SPECIFICATIONS & STANDARDS

UL 62/CSA-C 22.2 No 49

#### CONSTRUCTION:

- Conductors:** Flexible stranded bare copper, ASTM B-174 and UL 62
- Insulation:** EPR compound, 90°C compound class 3, table 8, UL 62
- Assembly:** Insulated conductors cabled together with integral filled or rubber fillers
- Separator:** Paper tape or talc for 18-10 AWG / Polyester tape for 8-2 AWG
- Jacket:** Black CPE 90°C compound class 1.4, table 22, UL 62
- Color code:** ICEA S-58-679, Method 1, table 1; black, white, red, green

FEATURES	APPLICATION
<ul style="list-style-type: none"> <li>- Excellent flexibility resistance to oil, solvents, ozone, weather, sunlight and water</li> <li>- Flame test meets VW-1, FT2, and MSHA</li> <li>- Temperature range: -40°C to +90°C</li> <li>- Suitable for shallow water immersion</li> </ul>	<ul style="list-style-type: none"> <li>- Industrial and processing equipment, cranes and hoists, track systems, tools, construction equipment, motors and associated machinery, garage portable lights, battery charger and equipment exposed to oils, solvents, flame, moisture and other electrical equipment</li> </ul>

#### APPROVALS:

- UL: E123366
- CSA: 1534535 (LL 103932)
- MSHA: P-7K-254013

Part Number	Power Conductor Size	No. of Conductors	Power Conductor Stranding	Nominal Insulation Thickness		Nominal Jacket Thickness		Nominal O.D.		Approx. Weight lbs/1000 ft	Ampacity (1) 30°C Ambient Temp.
	AWG		No. of Stranding	inches	mm	inches	mm	inches	mm		A
SOOW18-2 IF	18	2	16 / 30	0.030	0.76	0.060	1.52	0.34	8.6	63	10.0
SOOW18-3 IF		3						0.36	9.1	74	10.0
SOOW18-4 IF		4						0.39	9.8	87	7.0
SOOW16-2 IF	16	2	26 / 30	0.030	0.76	0.060	1.52	0.37	9.3	76	13.0
SOOW16-3 IF		3						0.39	10.1	90	13.0
SOOW16-4 IF		4						0.42	10.5	107	10.0
SOOW14-2 IF	14	2	41 / 30	0.045	1.14	0.080	2.03	0.50	12.6	137	18.0
SOOW14-3 IF		3						0.52	13.3	161	18.0
SOOW14-4 IF		4						0.57	14.4	192	15.0
SOOW12-2 IF	12	2	65 / 30	0.045	1.14	0.095	2.41	0.57	14.4	184	25.0
SOOW12-3 IF		3						0.59	15.2	217	25.0
SOOW12-4 IF		4						0.64	16.5	261	20.0
SOOW10-2 IF	10	2	104 / 30	0.045	1.14	0.095	2.41	0.62	15.6	230	30.0
SOOW10-3 IF		3						0.65	16.5	281	30.0
SOOW10-4 IF		4						0.70	17.8	336	25.0

(1) Ampacity - Free air measured; Based on continuous duty at 90°C conductor temperature

#### STANDARD PRINT LEGEND:

TF CABLE FLEXTREME (COND) (SIZE) (mm<sup>2</sup>) (UL) SOOW E123366 90C SUN & WATER RES 600V CSA SOOW 90C LL 103932 FT2 -40C P-7K-254013 MSHA

#### SPECIAL FACTORY OPTIONS:

- Color jacket:** Yellow, Orange
- SOOW/H07:** European harmonized dual rating





FILE NO.

**NOTES:**

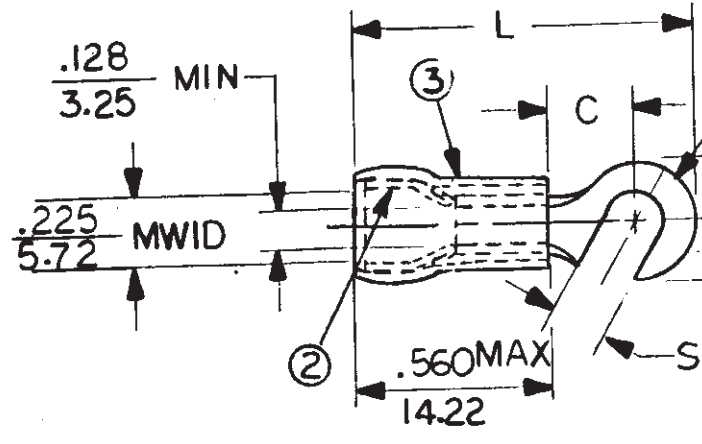
- ① MAT'L: COPPER (STOCK TKN.  $\frac{.040}{\pm .001}$ )  
PLATING: ELECTRO TIN (.0003 MIN)
- ② TIN-PLATED BRASS FUNNEL FERRULE
- ③ NYLON INSULATION (COLOR CODED YELLOW)

STUD SIZES: ( $\pm .005$ )

- 02 = .094
- 04 = .119
- 06 = .146
- 08 = .173
- 10 = .198
- 14 = .265
- 56 = .328
- 38 = .390

"UL" LISTING \*E32244  
"CSA" LISTING #18689

WIRE SIZE: 12-10 AWG  
4.0-6.0 MM<sup>2</sup>



ALL DIMENSIONS =  $\frac{\text{INCHES}}{\text{MM}}$  (MWID) = DENOTES MAXIMUM WIRE INSULATION

PART NUMBER	"W" $\pm .010$	"C" MIN.	"L" MAX.	AVAILABLE STUD SIZES
C-811 -	$\frac{.372}{9.45}$	$\frac{.303}{7.70}$	$\frac{1.081}{27.46}$	06, 08, 10
C-899 -	$\frac{.533}{13.54}$	$\frac{.393}{9.98}$	$\frac{1.259}{31.98}$	14, 56

DIMENSIONAL TOLERANCES UNLESS OTHERWISE SPECIFIED			REFERENCE	SCALE: NTS	DATE	TITLE: HOOK TONGUE TERMINAL AVIKRIMP 800-SERIES
FRAC.	DEC.	ANG.		DRWN. BY: JJ	11-12-84	
±	±	±		CHKD. BY: GZ	11-26-84	
				APPRD. BY:		

<b>IAG - CUG REVIEW FORM</b>	AIRPAX P/N <i>LEGBX6-38619-15-V</i>	CUSTOMER P/N	REVISION <i>129</i>	SLS # <i>129</i>
	DATE <i>2/26/13</i>	MARKETING <i>Darren Magas</i>	CUSTOMER <i>LEX Products</i>	PARTICIPATION

STANDARD PART NUMBER  
 (IF CHECKED, ENTER DESCRIPTIVE P/N)

DESCRIPTIVE P/N: \_\_\_\_\_  
 CCC REF P/N: (REQ'D FOR ALL CCC BUILDS)  NEW  CHANGE  NO CHANGE

COMMISSION

PURPOSE:  PDS - MOF  QUOTE  NEW REVISION  NEW REVISION W/ORDER  NEW PRINT W/ORDER  ORDER

REVIEW STATUS:  CHANGE  NO CHANGE  FIRST REVIEW  UL LISTED  UL/CSA  VDE  TUV  CCC

POLE NO. (AS MTD.)	I	V, RATED V or TRIP VOLTS			Hz	DELAY	BASIC CONSTRUCTION	OPTIONAL REQUIREMENTS	YES	NO
		UL/CSA	VDE	TUV						
1	15.00	125	250		50/60	62	Series	CUSTOMER P/N	<input type="checkbox"/>	
2								CAGE CODE	<input type="checkbox"/>	
3								SPECIAL TERMINAL MKGS.	<input type="checkbox"/>	
4								BARRIER	<input type="checkbox"/>	

<b>AUXILIARY</b> <input type="checkbox"/> YES, IN POLE <input checked="" type="checkbox"/> NO		<b>MOUNTING:</b> <input checked="" type="checkbox"/> 6-32 THD. <input type="checkbox"/> M3 METRIC THD. <input type="checkbox"/> SPECIAL		<b>TERMINALS:</b> <input type="checkbox"/> 8-32 <input type="checkbox"/> M5 METRIC <input checked="" type="checkbox"/> 10-32 <input type="checkbox"/> 1/4 QUICK CONN. <input type="checkbox"/> M4 METRIC <input type="checkbox"/> FLAT <input type="checkbox"/> BULLET TERM.		<b>DUAL COIL:</b> <input type="checkbox"/> 3 TERM <sup>(VDE)</sup> <input type="checkbox"/> 4 TERM POLE NO. _____ TRIP VOLTS _____		<input type="checkbox"/> SNAP-IN FACE PLATE <input type="checkbox"/> STANDARD (BEVELED EDGE) <input type="checkbox"/> FLUSH SIDES (-S) <input type="checkbox"/> HDL. GUARDS/RESTRICTED ACCESS (-G) <input type="checkbox"/> HDL. LOCK (-L)			
<input type="checkbox"/> REC4 <input type="checkbox"/> REG 4 <input type="checkbox"/> REC5 <input type="checkbox"/> RS4 <input type="checkbox"/> RLS4 <input type="checkbox"/> RS5 <input type="checkbox"/> RLS5 <input type="checkbox"/> FAT		<b>HANDLE:</b> <input type="checkbox"/> STANDARD <input type="checkbox"/> FAT <input type="checkbox"/> PANEL SEAL <input checked="" type="checkbox"/> ROCKER		<b>LOCATION</b> <input checked="" type="checkbox"/> STANDARD <input type="checkbox"/> POLE NO. <input type="checkbox"/> ALL POLES (H BUILDS) (AS MOUNTED) <input type="checkbox"/> HDL. IN OPPOSITE POLE (-M)		<b>FOR "ZX" ONLY</b> <input type="checkbox"/> AIRPAX STD MOUNT A,B,C,F,G,H <input type="checkbox"/> REVERSED MOUNT <input type="checkbox"/> J,K,L <b>(FOR "BX" ONLY)</b> <input checked="" type="checkbox"/> M,N,P,R		<b>COLOR CODE NO.</b>   <i>P3</i>		<b>FACILITY APPROVAL</b> CAMBRIDGE <input type="checkbox"/> YES <input type="checkbox"/> NO MEXICO <input type="checkbox"/> CHINA <input type="checkbox"/>	

SPECIAL REQUIREMENTS AND INSTRUCTIONS (FOR ENGINEERING USE ONLY):

\_\_\_\_\_

\_\_\_\_\_

\_\_\_\_\_

\_\_\_\_\_

RC/MD CHECKING COPY REQUIRED

SPECIAL REQUIREMENTS AND INSTRUCTIONS (FOR MARKETING USE ONLY): <i>Same as LEGBX-38619-1-V except 15.0A version.</i>	BASE PRICE <i>\$34.65</i>	SALES RESTRICTED YES <input checked="" type="checkbox"/> NO <input type="checkbox"/> <input checked="" type="checkbox"/> NO JOBS AFFECTED <input type="checkbox"/> JOBS / CONSIGNMENT AFFECTED LIST JOBS AFFECTED:  <input type="checkbox"/> SURPLUS INVENTORY AFFECTED
	MARKETING REFERENCE INFORMATION: <i>Bob Lavertu - TechSol</i>	

FOR ENGINEERING USE ONLY		SALES DECISION	
CUSTOMER PRINT READS	EXCEPTIONS REQUESTED	PRINT	EXCEPTION

PRINT REVIEWED BY <i>ED</i>	CHINA PPD	EVALUATE SPECIAL REQUIREMENTS <input type="checkbox"/> Q.A. INITIALS _____ DATE _____ <input type="checkbox"/> DEV. ENG. INITIALS _____ DATE _____ <input type="checkbox"/> SHIPPING INITIALS _____ DATE _____		MARKETING INITIALS & DATE <i>DRM   02/26/13</i>
DATE <i>2/26/13</i>	DATE	ENG. ACKNOWLEDGE INITIALS & DATE /		